



Financing, Turnkey
solutions & Hospital
Design

Healthcare Federations,
Hospital Project
Managers

Private Hospital
Groups

Building Solutions, Capital
Equipment & E-Health

H\care

MEDICAL INTERIOR



HAcare

MEDICAL INTERIOR



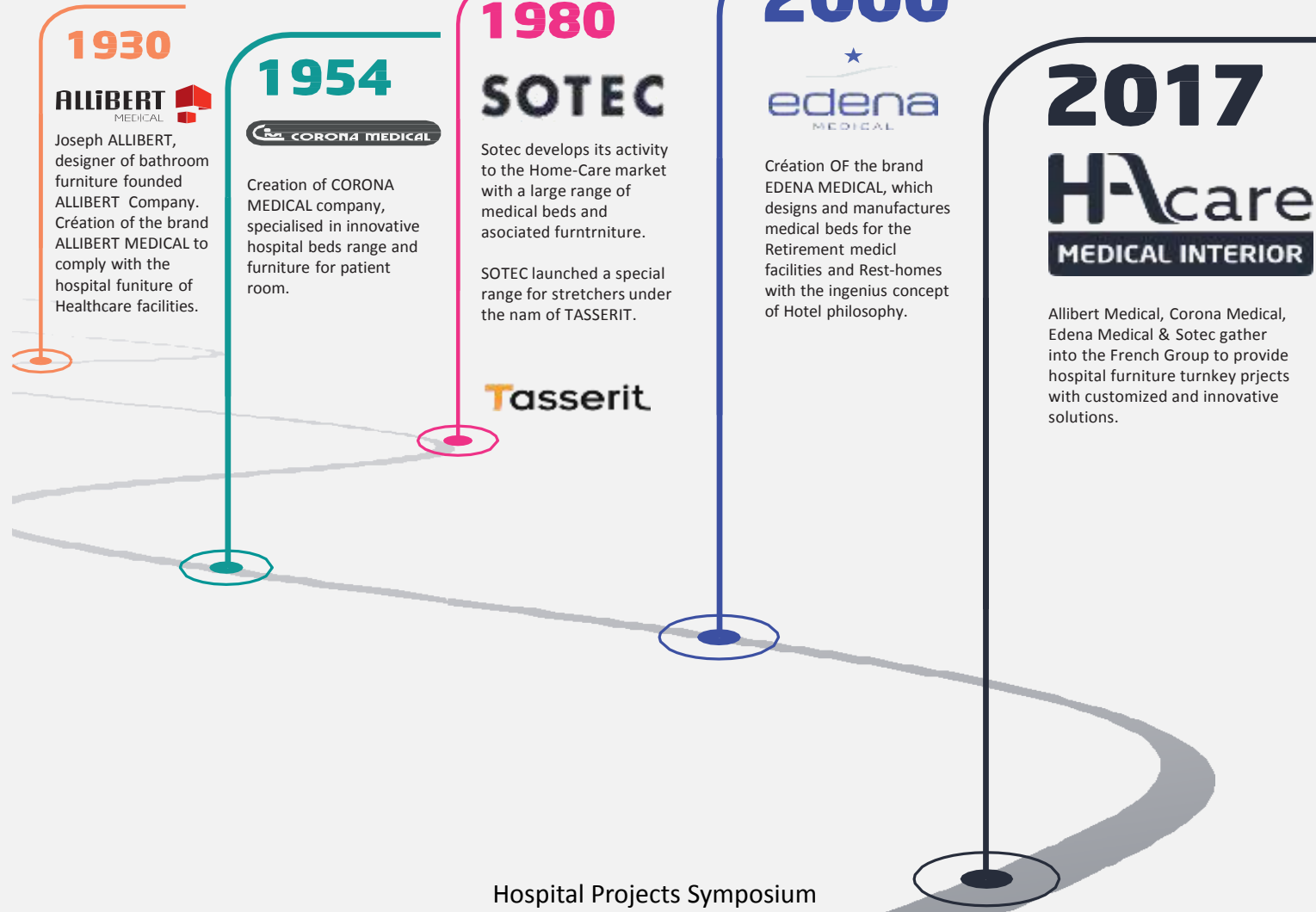
IMPROVE THE NURSING LIFE

We are building a new concept for our healthcare facilities and a new model of hospital

Organisation,

Hospital Projects Solutions

The DNI OF THE GROUP



KEY FIGURES



Turnover in 2016 with total 150 employees

Units manufactured and sold in France and around the world per year

With representation and installations in the world

Our showroom located in Tours city to show our range of hospital furniture and last innovations.

In 4 cities in France (Paris, Nantes, Loudun and Tours) integrated a R&D and Design department. The head office is based in Paris.

In France with production monitored from Tours, Loudun and Nantes to control the quality of our products, the production and the delivery process under ISO regulations.

THE FRENCH TOUCH

Plastics components



100% made in France

- Production process
- Quality process
- Environmental performance

Medical Trolleys & cabinets



Innovation

- Modularity
- French Design
- Innovative beds with confort chair position
- Innovative ambulatory chair



Furniture



Medical beds



WORLD INSTALLATIONS



More than 100 000 units sold worldwide

An international network of more than 35 partners in order to provide to our customers tailor-made solutions and adapted products to their local markets.

Our customized solutions for Turnkey Hospital projects



OUR CORE-BUSINESS

Logistics Chain Management

- Pharmacy, Warehouse,
- Stock optimization (Empty/Full System)
- Equipment for storage areas
- Safety medication process solutions

Mobile layout

- Nursing areas
- ICU, OR, Emergency dept
- Storage areas
- Patient rooms

Functional medical trolleys

- Treatment process
- Medication process
- Emergency cart
- Anaesthesia carts ...

You are looking
for dedicated solutions

WE SUPPORT YOU

Offering you Solutions:
Smart – Modular & Scalable

Adapted solutions in all wards and departments

In-patient pharmacy



VIP patient room



Nursing rooms



Medical trolleys



Recovery room



Storage areas



Hospital furniture solutions



Easy and Intuitive
Mounting accessories without tools



Intelligent lock system
No key concept.
Management software for Nurse ID card access



No retention water area
Easy to dismantle completely
the cart or cabinet for
complete disinfection process.



Modular configuration
Our concept provides a full flexibility configuration
system which can be upgradable



Low physical effort
Aluminium frame and materials highly resistant to
mechanical and chemical aggressions





Safety patient control

system of rails designed to respect up-to-date standards which ensure maximum protection and safety for the patient by minimising the risks of injury.



Mobility & simplicity

Mobility features include the layout of the lying area, the eased grip thanks to the split side rails of the back section and the different wheels options for the agent-bearer and medical staff.



Hygiene and maintenance

The bed base is compact with an openwork design to allow the mattress to breathe. The 3-part lying surface is quickly and easily disinfected. The motors are both easily accessible and disconnected.



Front Exit patient process

Having an innovative sitting pre-programmed positions allows optimal patient comfort facilitating the patient's ability to move within the bed, assisting him to achieve in a chair position to regain his autonomy and go outside from the bed by a lifting process integrated into the medical bed



Full and integrated solutions in all hospital wards

Safety medication process and Consumable stock management



IN-PATIENT PHARMACY



STORAGE AREAS AND STERILE DISPOSABLES ROOM

OPERATING ROOM



NURSING AREAS

hospital's technical platform



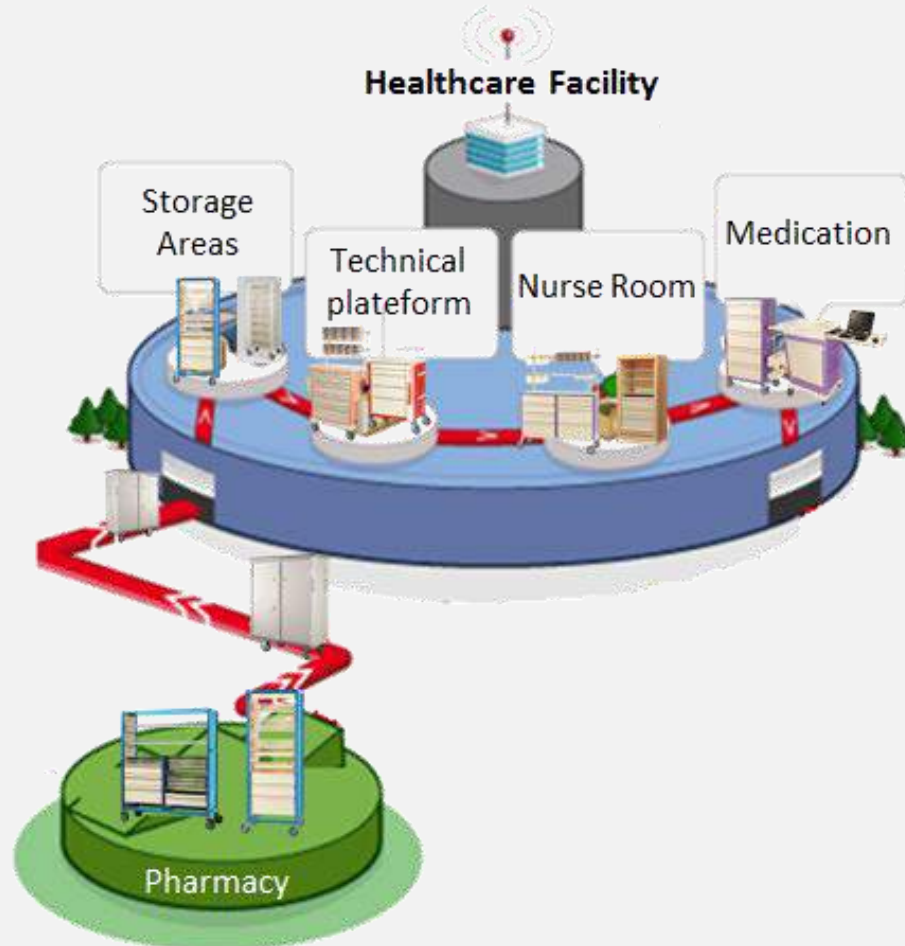
ANAESTHESIA TROLLEY



PATIENT ROOM

Care and Medication in the wards

Safety protocols of your medication process



Safety protocols of your medication process

The benefits of rationalising pharmaceutical flows thanks to modularity concept

FOR THE PHARMACY

- **Preparation of the individual patient daily medication managed by the pharmacists**
- **Secured the medication process**
- Control logistical drug flow inside hospitals
- **Stock control → Cost control**

FOR THE PATIENT WARDS

- **Supply the right product to the right patient at the right time**
- Reduce medication error
- **Traceability**
- **Safety medication for the patients**

Safety protocols of your medication process

Modern and effective storage and logistics solutions :

- Organisation*
- Safety*
- Traceability*
- Lower costs*



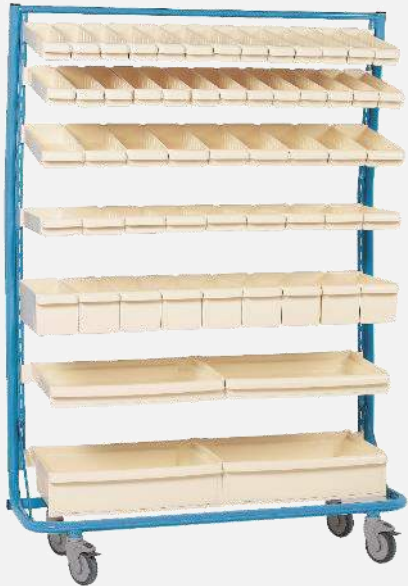
Safety protocole of your medication process

Especially designed to optimize the storage and logistical flow of the pharmaceutical products :

- Ergonomics*
- Hygiene,*
- Traceability*
- Security*

Our modular trolley concept allows many possibilities of configurations in accordance with :

- your organization
- number of patients per ward
- Medication process



Medication cassette 3 levels
(capacity 18 patients bins)



Medication Cassette 2 levels (capacity 12 patients bins)

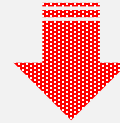


Options: door + lock + handles



OR, ICU,
Emergency

The benefits of ALLIBERT MEDICAL modularity concept for the OR, ICU, Resuscitation



- Optimises space
- Improves the working environment
- Reduces the number of tasks which are not directly related to treatment
- Ergonomics
- Durability
- Security
- Hygiene



Equipment for Operating Theatre, ICU, Emergency

Before



Now



- Ideal for hygiene
- Modular operating theatre
- Organisation process with dedicated cabinets per speciality

Equipment for Sterile storage areas

Before

Piling up /stacking up of instruments boxes = Loss of place



Now



Better Organisation, stock management, stock control and hygiene

Equipment for Sterile storage areas

Before



Now



- Storage optimisation
- Organisation improvement
- Reducing costs
- Controlling costs

Installation in Emergency department (Trauma area)

- ❑ Improve efficiency
- ❑ Ergonomics working environment
- ❑ Optimise hygiene
- ❑ Improve treatment quality



Installation in Recovery unit

- ❑ Improve efficiency
- ❑ Ergonomics working environment
- ❑ Optimise hygiene
- ❑ Improve treatment quality



6/7/2018



Hospital Projects Symposium

Equipment for Treatment preparation room for nurses



Nursing Room Areas

Equipment for Nurses areas



Equipment for Nurses areas





Patient
room
furniture

Hospital bed and room furniture



- French Touch
- Design
- Safety patient concept
- Durabilty 10 years warranty



ICU Hospital bed



TechCare

SAFETY



- There is a choice of split side rails or 3/4 rails, with the possibility of locking the bed along its entire length.
- The bed complies with the technical requirements for the standards currently in force.
- The bed allows for secure operation by the caregiver.

SIMPLICITY



- The patient remote is accessible in all bed positions.
- The intuitive caregiver control optimises the use of the bed functions.
- Carrying the patient by stretcher is facilitated by the 5th castor.

HYGIENE & MAINTENANCE



- The bed base is compact with an openwork design to allow the mattress to breathe.
- The 3-part lying surface is quickly and easily disinfected.
- The motors are both easily accessible and disconnected.

Innovative FRONTEXIT BED



FRONTEXIT NOVASSIST-H BED

Type of lying surface	Compact HPL
Dimension lying surface	900 x 2000 mm
Length	2180 mm
Length with wall-bumpers	2265 mm
Width	990 mm
Lowest position mini	200 mm
highest position maxi	820 mm
Angle maxi for backrest	70°
Angle maxi for knees bed	30°
Angle Trendelenburg/Reverse Trendelenburg	-18 to +18
barrier heights removed/lying surface	410 mm
Safe Working Load (SWL)	230 kg
Maximum patient weight	185 kg
Bed weight bare	130 kg

- Facilitating care
- Facilitating handling
- Facilitating Patient autonomy
- Patient dignity



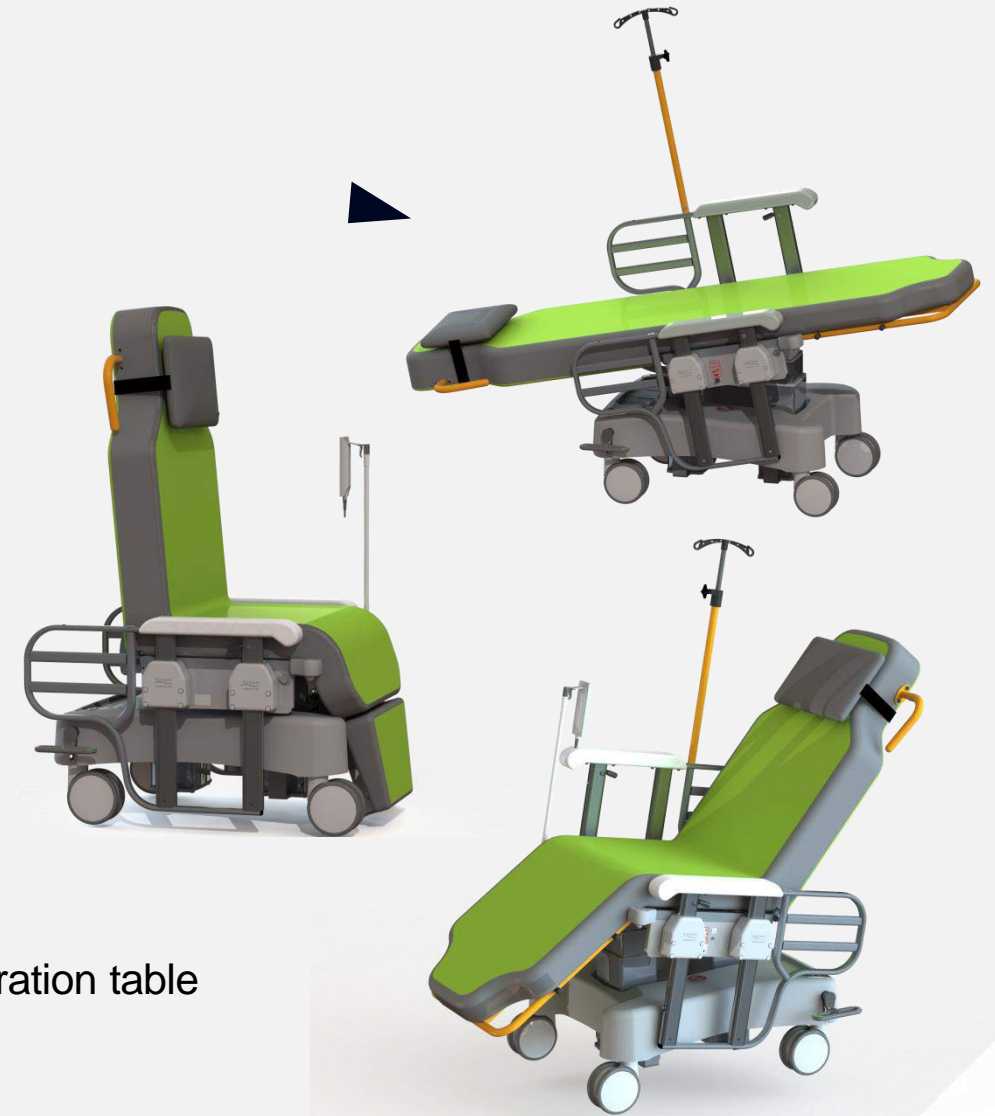
Day Hospital solutions

AMBULATORY CHAIR For DAY HOSPITAL Process



It is an ambulatory chair with a Triple function - Electric stand-alone :

- As a comfortable chair for oncology, blood donation,
- As a stretcher patient transfer
- As an operating table for minor surgical operations as a functional operation table

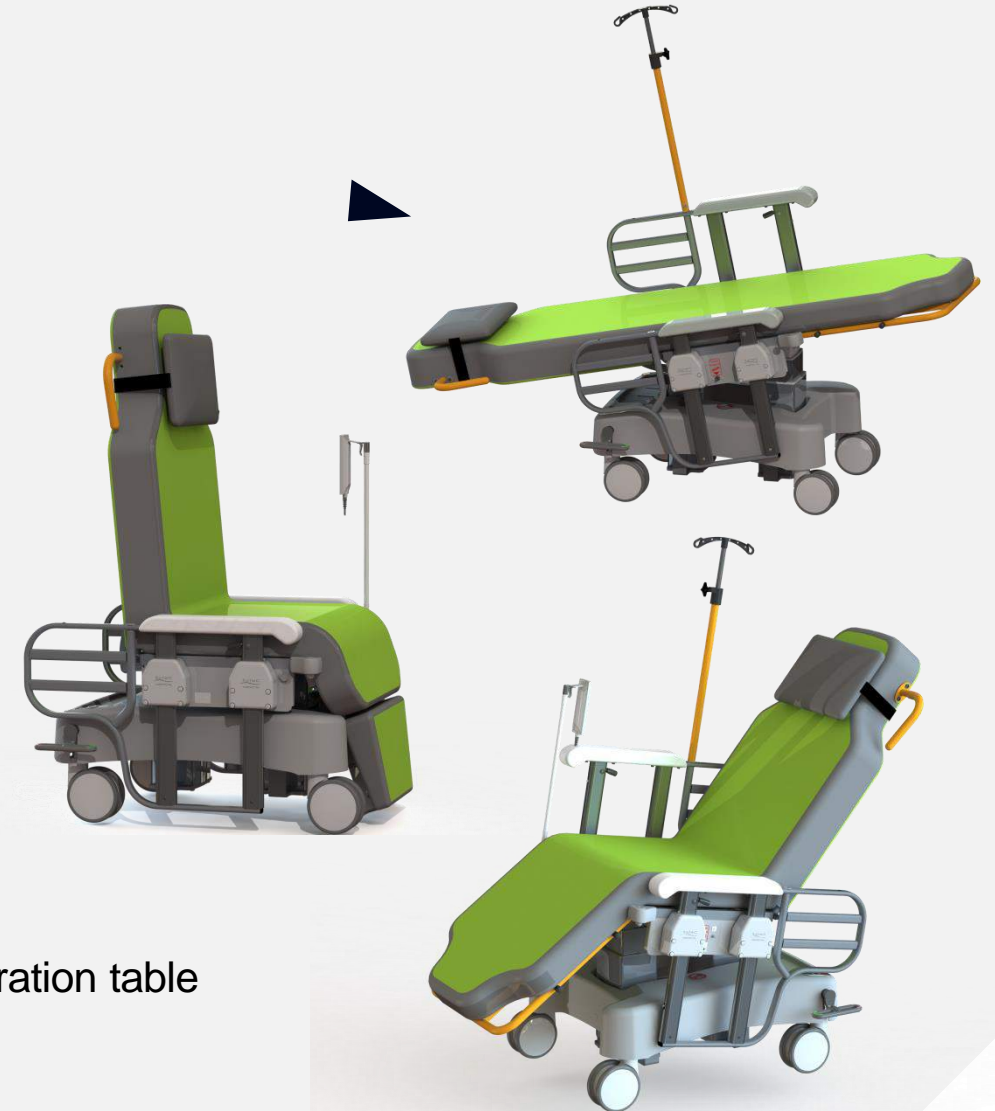


AMBULATORY CHAIR For DAY HOSPITAL Process



It is an ambulatory chair with a Triple function - Electric stand-alone :

- As a comfortable chair for oncology, blood donation,
- As a stretcher patient transfer
- As an operating table for minor surgical operations as a functional operation table

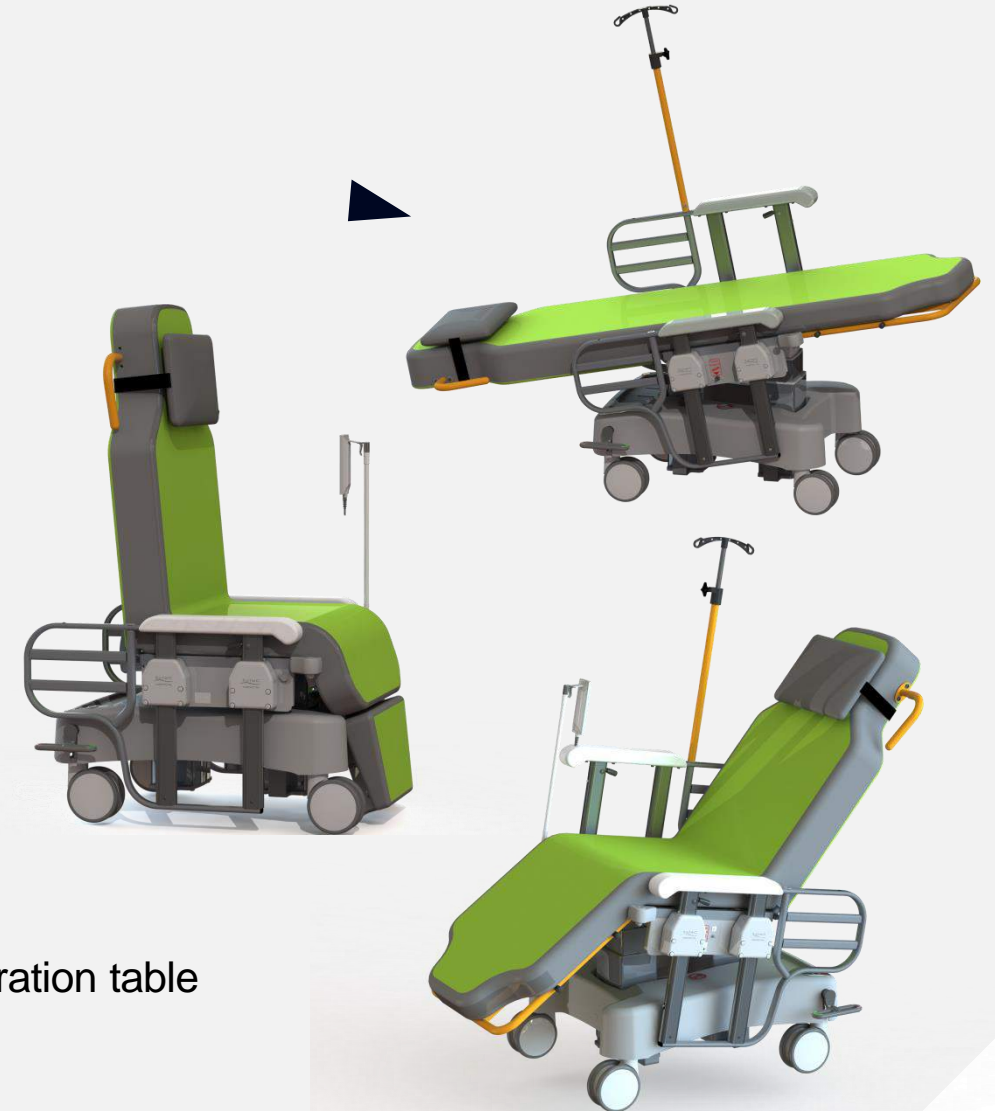


AMBULATORY CHAIR For DAY HOSPITAL Process



It is an ambulatory chair with a Triple function - Electric stand-alone :

- As a comfortable chair for oncology, blood donation,
- As a stretcher patient transfer
- As an operating table for minor surgical operations as a functional operation table





Homecare Solutions

Medical bed and furniture solutions for Homecare



- French Touch
- Full medical beds
- Hotel concept furniture
- Treatment quality





Main Hospital Furniture

Range of medical trolleys



MOD'ALLI range



LOGIST'ALLI range



STOCK'ALLI range

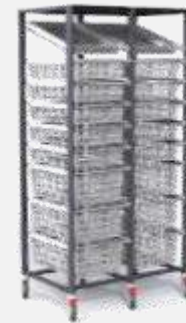
Range of Medical Cabinets



MOD'ALLI range



LOGIST'ALLI range



STOCK'ALLI range

Range of Medical Cabinets



Transfer Patient solutions

Emergency stretcher 2052



Pediatric "Bambino" Child hospital bed



Stretcher



Shower trolley



Our proposals for your hospital project





French Healthcare

3D Drawings projections



3D VIDEOS Projections



Thank you for your attention

HACARE SOTEC Medical France
Export Dept
12 rue de la Garde
44000 Nantes
FRANCE
s.abdallah@hacare.com